

The lightweight Indigo makes vehicle key storage a snap

The Indigo mechanical keybox for the automotive market helps you focus on sales and customers, providing easy key control. Built with an aerospace aluminum alloy shell, the Indigo is ultra lightweight and has the largest storage capacity of any of Supra's keyboxes.

The Indigo keybox was designed specifically for automotive dealerships that remove keys nightly. This design incorporates a snap-shut locking feature and proprietary Title key system which allows access only by those with a properly-coded key.

For nightly key removal, the snap-shut closure makes vehicle key storage more efficient. At night, dealership lot attendants open the Indigo keybox using their Title key and retrieve the vehicle keys. Overnight, the box is left open on the vehicle. The next morning, lot attendants place the vehicle keys inside the keybox and simply snap it shut. No master key is required.

Features

- Ultra-lightweight aerospace material
- Two sizes available for multiple keys and remote devices
- Snap-shut design: No key required to close
- Secured Title lock
- Durable construction

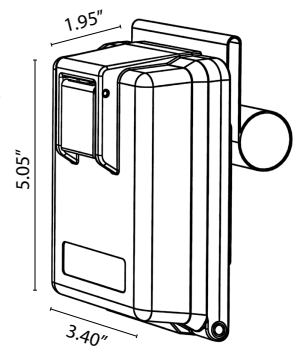
Benefits

- Designed for nightly vehicle key removal
- Service customers faster
- Improve efficiency of operations
- Salespeople stay with prospects at all times



Indigo Keybox

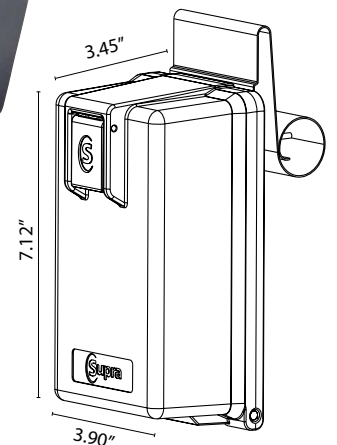
P/N 001524-01



Proximity shields are available for key storage, to block signal from vehicle smart keys

Indigo XL Keybox

P/N 002267



800-889-8295

www.keyadvantage.com • keyadvantage@suprasystems.com

Supra
4001 Fairview Industrial Dr. SE
Salem, Oregon USA 97302